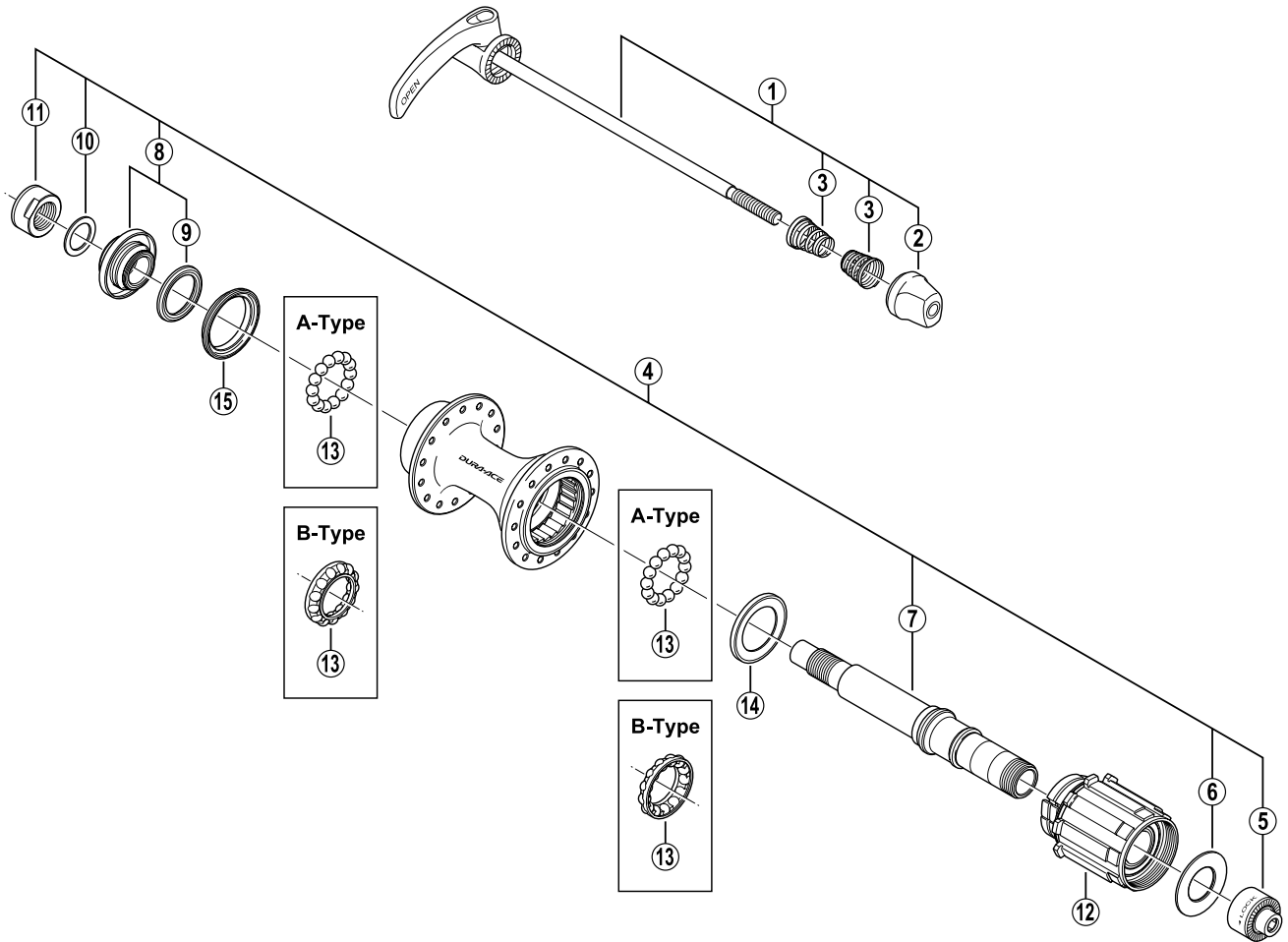


DURA-ACE Freehub
FH-7800 10-Speed



• Use with CS-7800.

ITEM NO.	SHIMANO CODE NO.	DESCRIPTION
1	Y-3B9 90100	Complete Quick Release 163 mm (6-13/32")
2	Y-25R 98020	Quick Release Nut
3	Y-233 21000	Volute Spring
4	Y-3B9 98010	Complete Hub Axle 130,3 mm (5-1/8")
5	Y-3B9 98020	Right Hand Lock Nut (M15)
6	Y-3B9 12000	Right Hand Axle Spacer
7	Y-3B9 98030	Hub Axle 130,3 mm (5-1/8")
8	Y-3B9 98040	Left Hand Cone w/Dust Cap & Seal Ring
9	Y-25R 04000	Left Hand Seal Ring
10	Y-3B9 14000	Left Hand Axle Spacer 0.5 mm
11	Y-3B9 98050	Left Hand Lock Nut (M12)
12	Y-3B9 90200	Complete Freewheel Body
* 13	Y-25R 98070	Stainless Ball (3/16") 28 pcs. / A-Type
	Y-25R 98080	Ball Retainer (3/16") / B-Type
* 14	Y-3B9 18000	Inner Seal Ring
* 15	Y-25R 06000	Inner Dust Cap

Over Lock Nut Dimension: 130 mm (5-1/8")

0412-2252A

Specifications are subject to change without notice.

SHIMANO